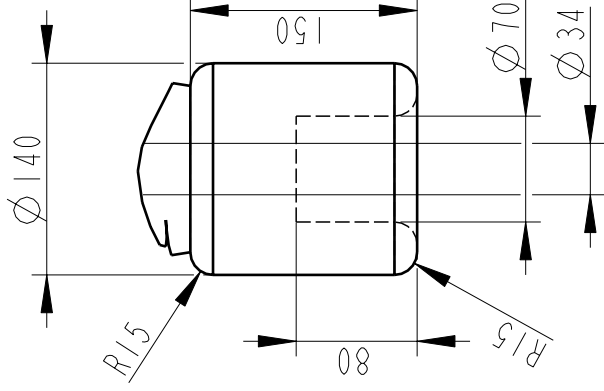


INNER TERMINAL FOR STRANDED CABLE

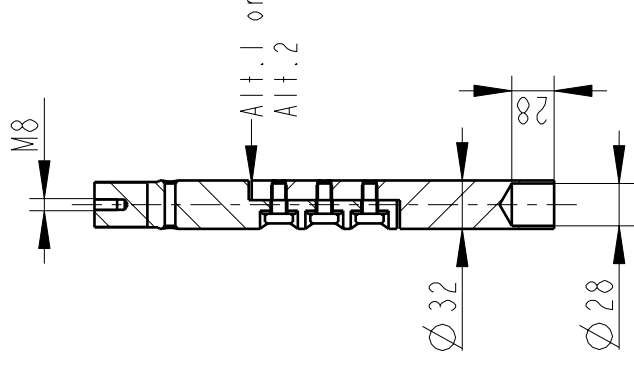
Bushing Data:

Rated Voltage	170	kV
Phase to Ground Voltage	170	kV
Dry Lightning Impulse $I, 2/50\mu s$	750	kV
Wet power frequency AC	325	kV
Routine test Imin dry 50Hz	350	kV
Rated Current	1250	A
Creepage Distance	4800±150	mm
Creepage Distance Protected	1700	mm
Mass	180	kg

END SHIELD



SOLID ROD CONNECTOR



The solid rod can be divided either:
 Alt.1: 20mm below the bushing flange or
 Alt.2: 20mm below the upper end of the bottom porcelain

Ordering Data:

BUSHING
 LF123077-M
 -N
 COLOUR AIR INSULATOR
 BROWN
 LIGHT GREY

OUTER TERMINAL
 LF 170 002-B
 Cu, $\varnothing 30$, L=125

LF 170 001-B
 Al, $\varnothing 30$, L=125

OTHER TYPES ON REQUEST

INNER TERMINAL FOR STRANDED CABLE
 For brazing
 Conductor area
 DI
 up to 285mm²
 $\varnothing 29$

SOLID ROD CONNECTOR
 LF 170 052 -M for Alt.1
 N/A for Alt.2
 Undrilled with pilot hole $\varnothing 5$

ABB Components Lubvita, Sweden	
No.	Urbly
Urbly	LI / SI / AC
M	kV Ir
C1	kg L mm V
C2	pf Tan δ r
	pf Tan δ r

Based on	Reg. No.
Prepared	Responsible department
LÖVNRD	COM/BK
Approved	Take over department
Johansson	Database
Design engineering review	
Hedlund	

Title	Language
GOB 750-1250-0	Language
WITHOUT OIL LEVEL GAUGE	Page
LONG END SHIELD	I(1)

Document No.	2751369-164
--------------	-------------

ABB Components

